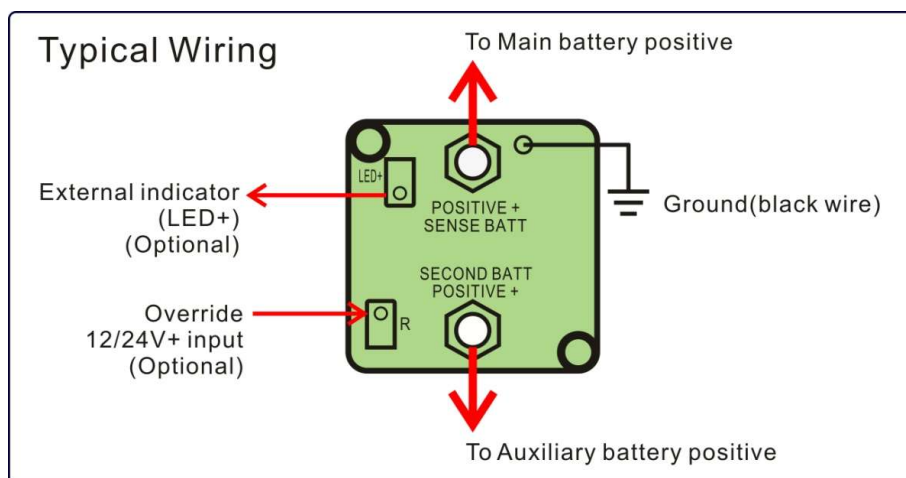


Specifications of Dual-V-Mode DVSR125

1. Nominal Voltage: 12V/24V DC auto
2. Current: 125A continuous/ 140A Max.
3. Cut-in Voltage #1: 13.6V-30s (27.2V-30s)
4. Cut-in Voltage #2: 13.1V-90s (26.2V-90s)
5. Cut-off Voltage #1: 12.95V-30s (25.9V-30s)
6. Cut-off Voltage #2: 12.50V-10s (25.0V-10s)
7. Voltage Detect: Dual
8. High-Voltage protection: 16V(30V)
9. Low-Voltage protection: 9.5V (19V)
10. indicator: LED (cut-in: ON; Cut-off: OFF)
11. Remote indicator: 0.25" blade (optional)
12. Remote Control (Override Function): 0.25" blade (optional)
13. Operating current: 300mA@12V mode,150mA@24V mode
14. Standby current: 5mA
15. Stud Torque: 3-4 NM
16. Recommended cable: 4AWG(20mm²) min.
17. Studs: M6, copper with tin plated
18. Typical wiring:



V01: 2020-7-20